

Temperature 4-20mA transmitter fo Pt100

LSP-TST



Brief description

The LSP-TST temperature transmitter is designed to provide a linearised 4-20mA current loop signal output, proportional with the temperature characteristic of the Pt100 sensor connected on its input. On the input it is possible to connect both 3 wires and 2 wires Pt100. This transmitter is suitable for any industrial application and with its DIN rail mountable enclosure it is easy to instal in electrical cabinets.

Features

- RTD type Pt100 Input
- 4 to 20 mA linearised output on current loop
- TS-35 DIN rail mounting
- +/-0.1% accuracy
- Ip20 case
- Screw terminals
- Easy to use
- Supply from current loop

Lueta Nr. 319, Romania

+40758576007

office@levtech.ro

www.levtech.ro



Specification

Input

Sensor type 2 or 3 wire Pt100
RTD open-circuit protection

Outputs

Output signal type 4-20 mA on current loop
Output range: 4-20mA
Over-Scale Limit: 27mA
Under-Scale Limit 2.2mA
Output resistance: >75 Ohm
Nonlinearity : 0.01% (max.)
Output accuracy: 0.1%
Output current noise: 30nAPP

Power supply

Supply voltage 16 to 30 VDC
Power consumption < 100mW
Over-Voltage surge Protection 36V
Reverse voltage operation

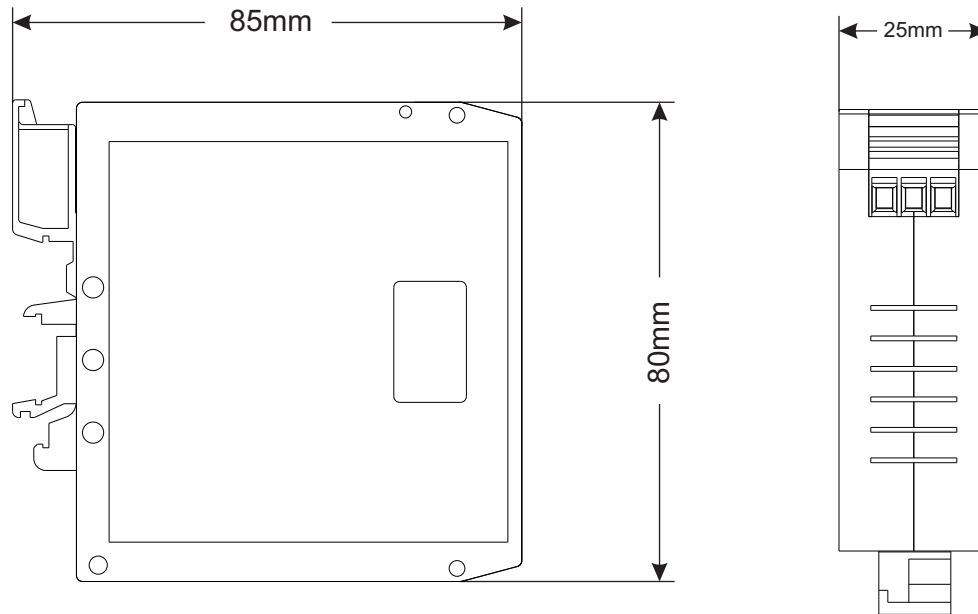
Environment

Ambient temperature: -10 to +60 °C
Storage temperature: -30 to 80 °C
Humidity : 0 to 95% RH at 40 °C, no condensation

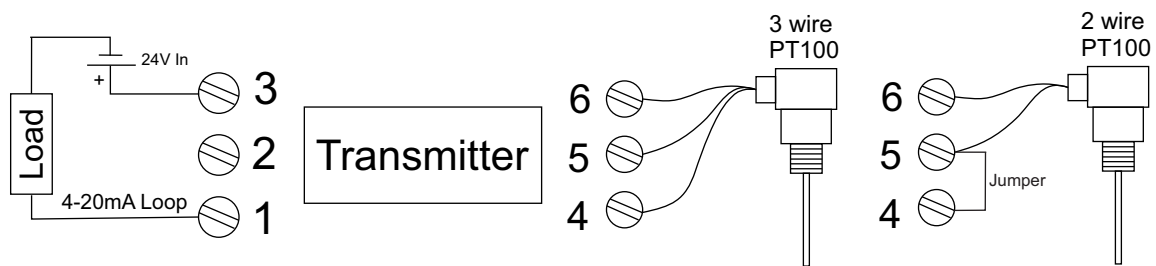
Enclosure

Rating: IP20
Dimension: 85 (L) x 25 (D) x 80 (H)
Weight: approx. 50g
DIN rail mountable housing to TS-35 DIN
Screw terminals with maximum 2.5 mm² cable cross-section

Dimensions



Connections



- 3 +16-30V In
- 2
- 1 +4-20mA Loop

- Pt100 wire 1 6
- Pt100 wire 2 5
- Pt100 wire 3 4